

---

*The RICA metamodel*  
*An organizational stance on ACLs*

*Juan M. Serrano, Sascha Ossowski, Sergio Saugar*  
*AL3-TF2, AOSE*

---

*Artificial Intelligence Group  
University Rey Juan Carlos  
Madrid, Spain*

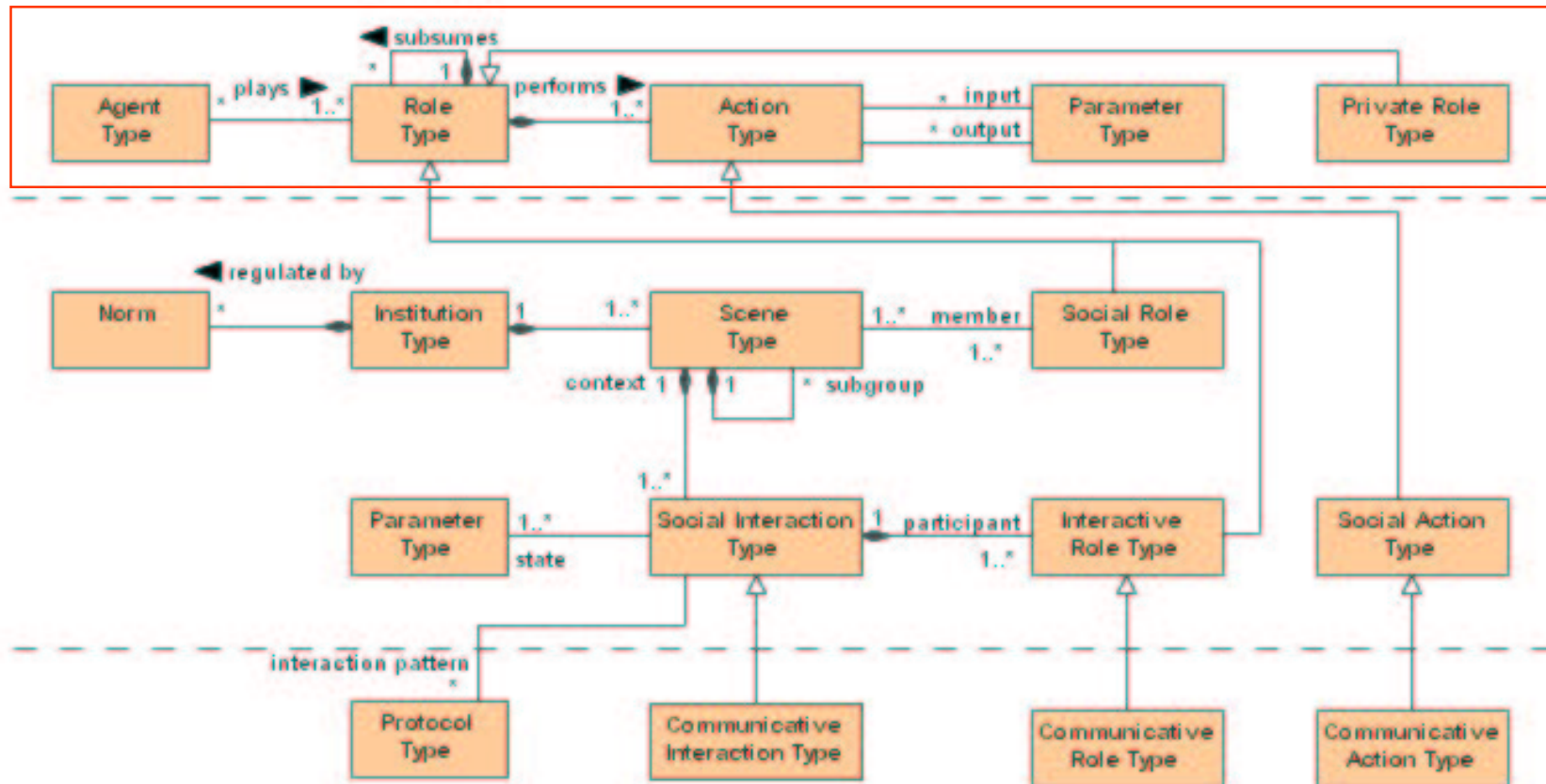
# *The RICA metamodel*

## *Introduction*

- **Role/ Interaction/ Communicative Action metamodel**
- **Motivation**
  - Unstructured ACL catalogues (e.g. FIPA CAL, FIPA IPL)
  - Lack of integration between organisational and ACLs metamodels
  - Ad-hoc MAS ACL design
- **Scope**
  - Not macro-organisational issues
    - Institutions, norms, organizations, groups, ....
  - .... but micro-organisational concepts
    - Roles, interactions
    - Only those features directly pertaining to ACLs
- **Extended version:**
  - Integration with the e-institution framework of Noriega, Sierra, et al.

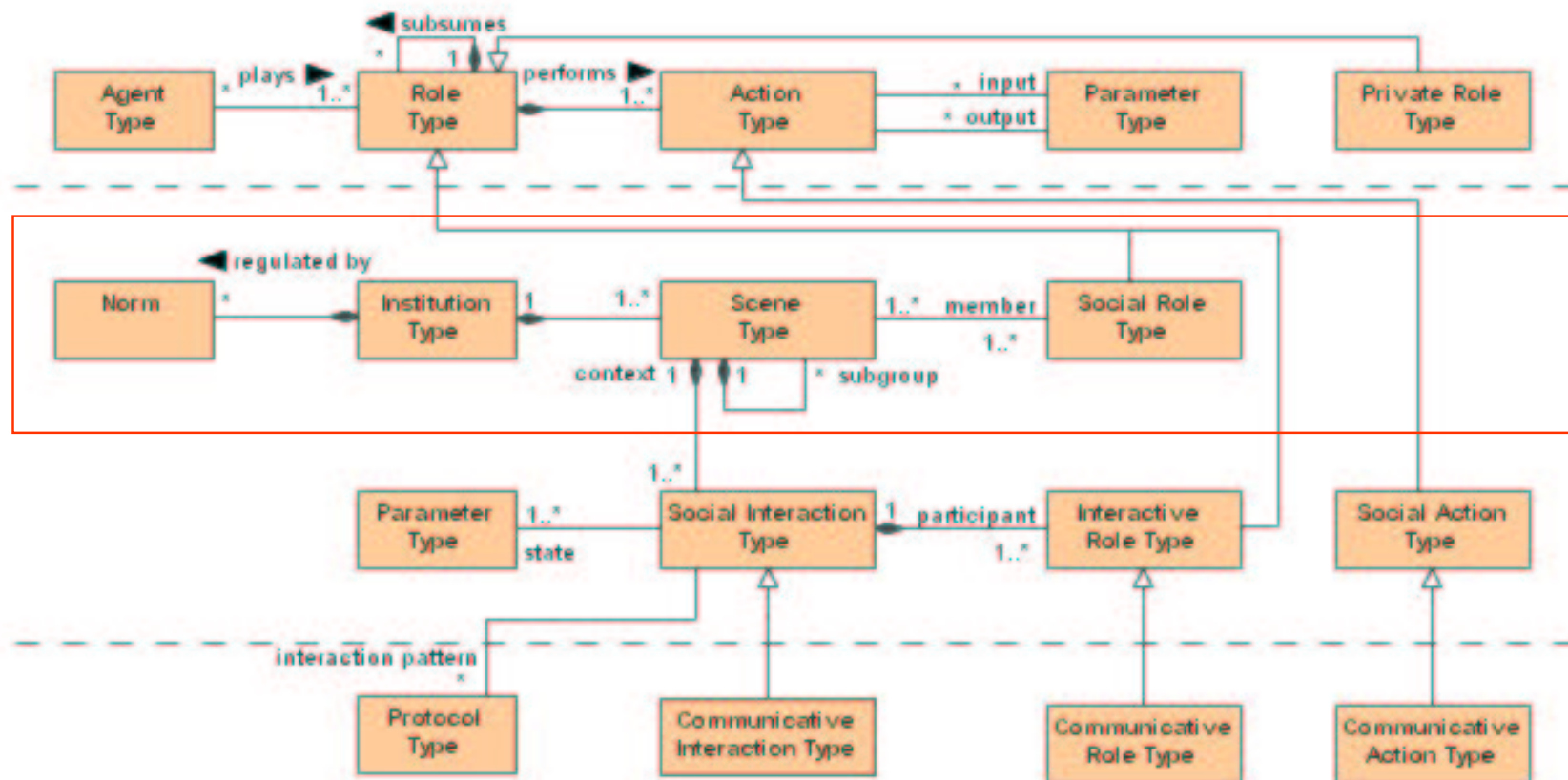
# The RICA metamodel

## Generic layer



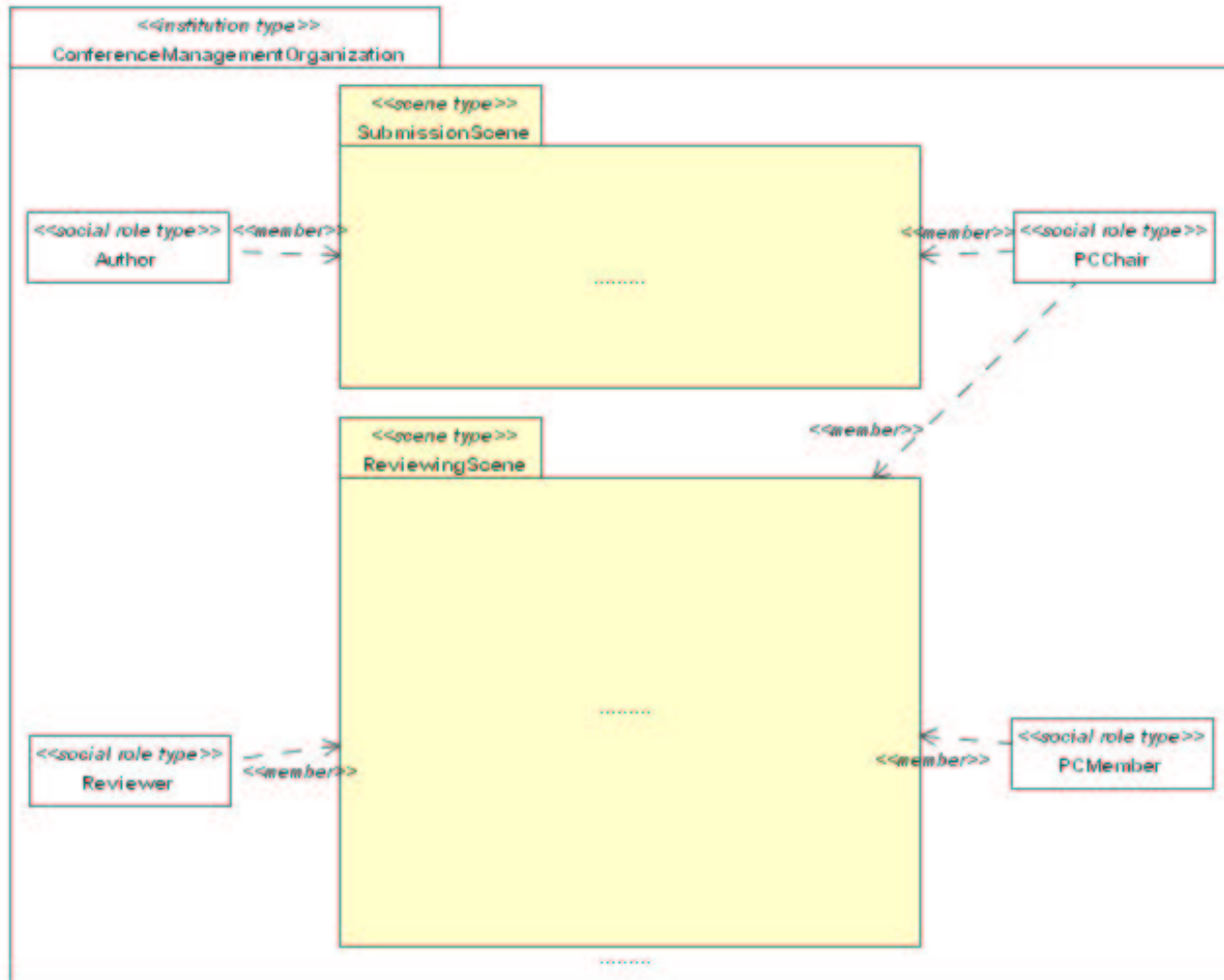
# The RICA metamodel

## Social layer (I)



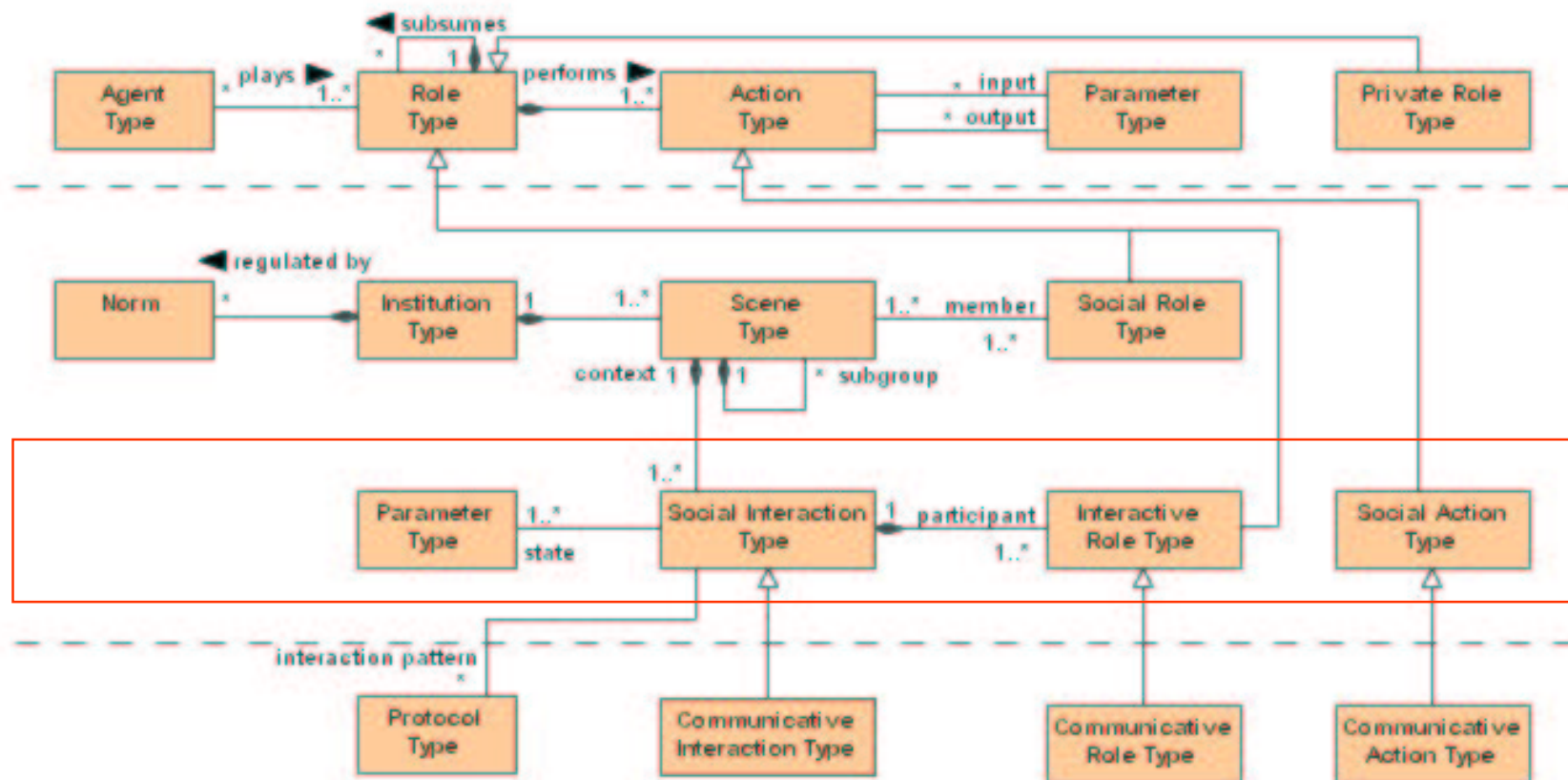
# A conference management model

## Social layer (I)



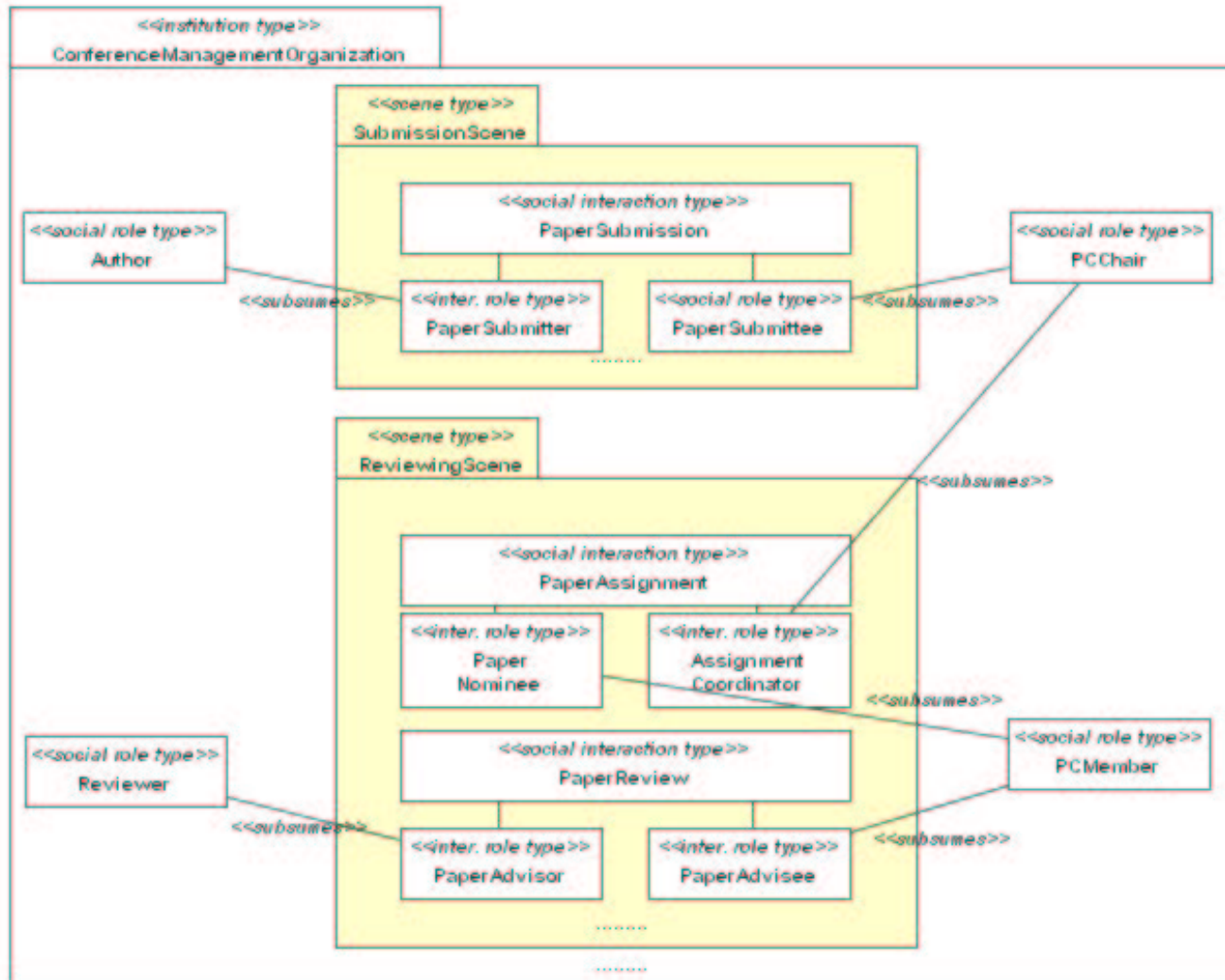
# The RICA metamodel

## Social layer (II)



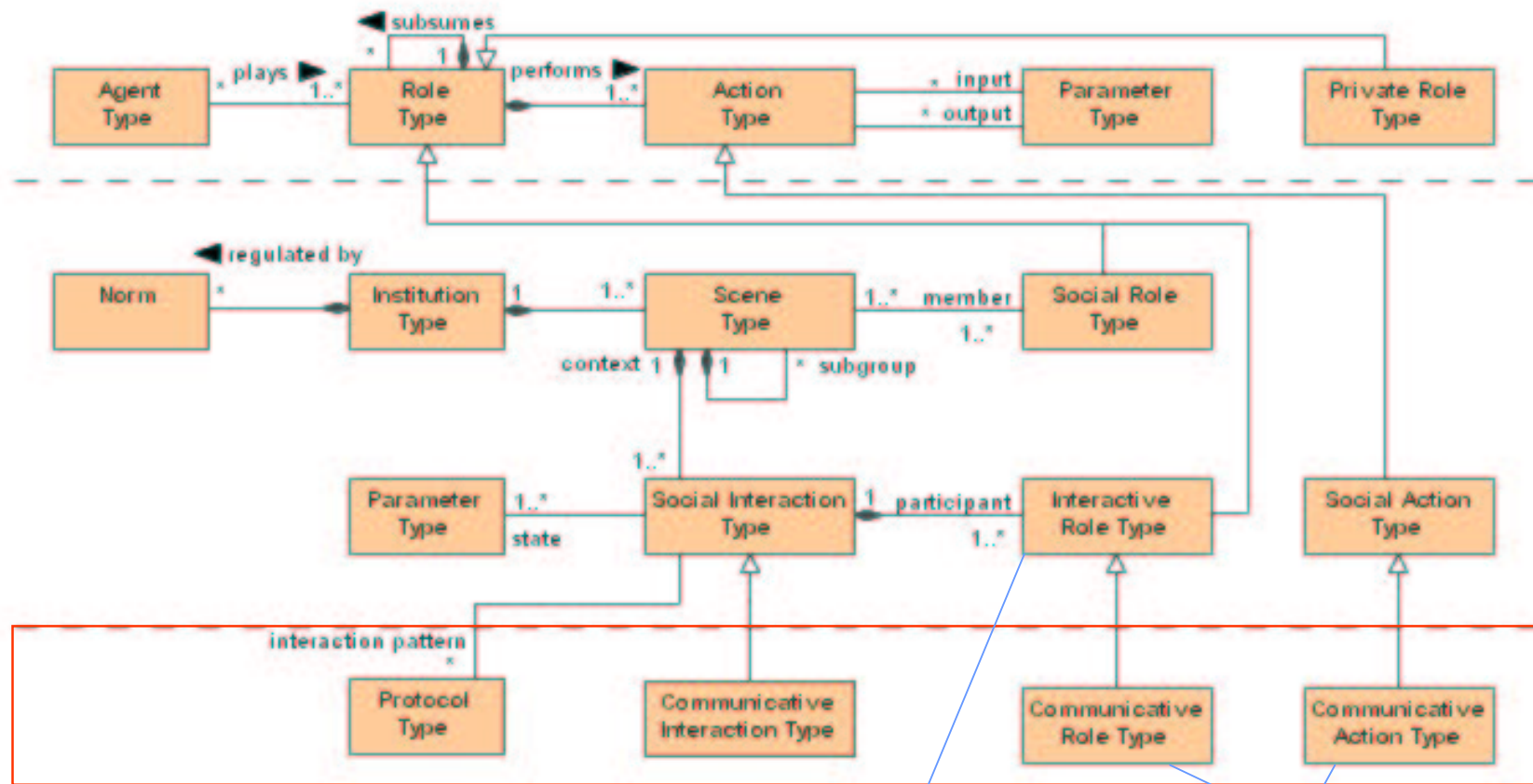
# A conference management model

## Social layer (II)



# The RICA metamodel

## Communicative layer



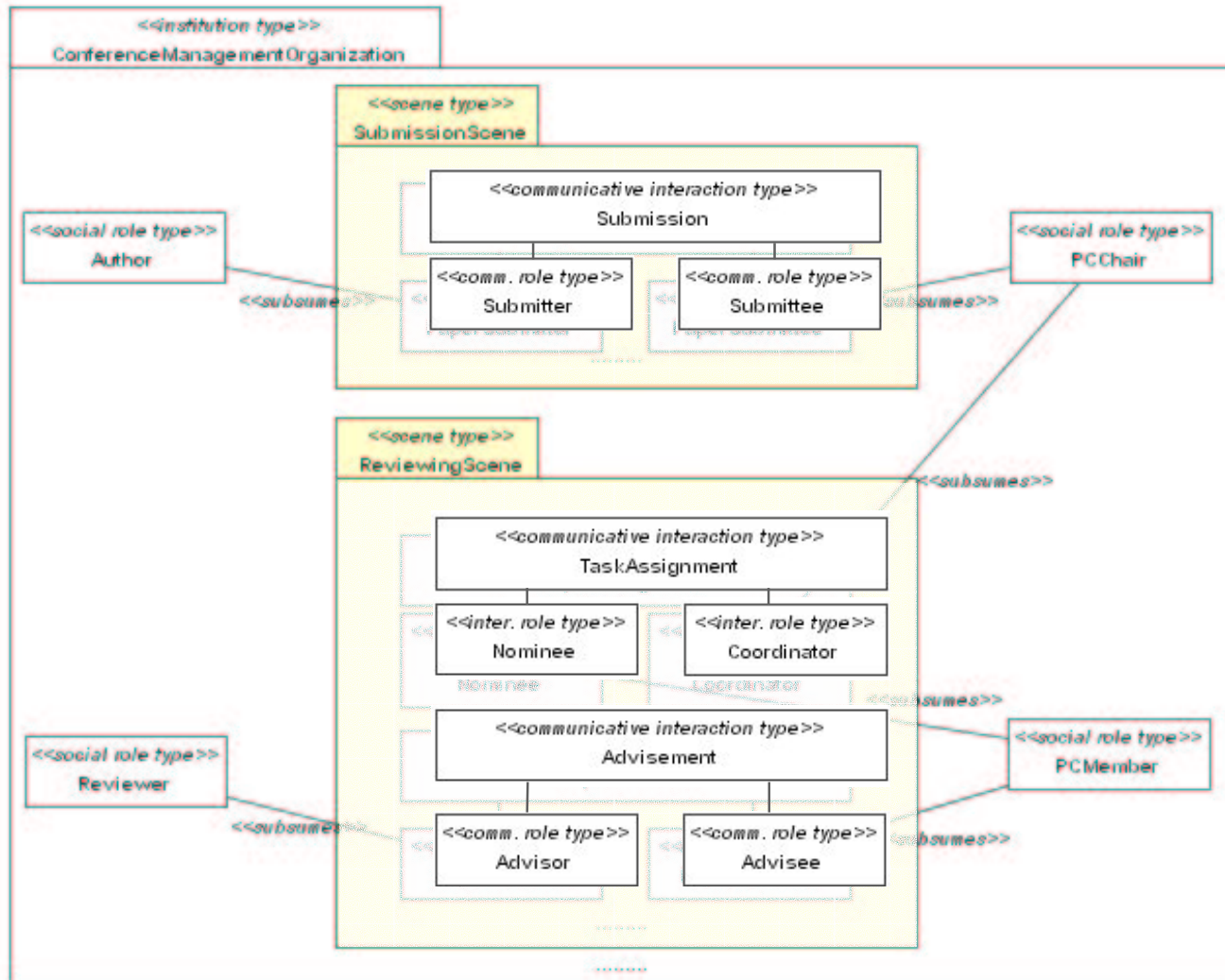
*Constraint: IRs specialises CRs*

*Constraint: CAs declared by CRs*



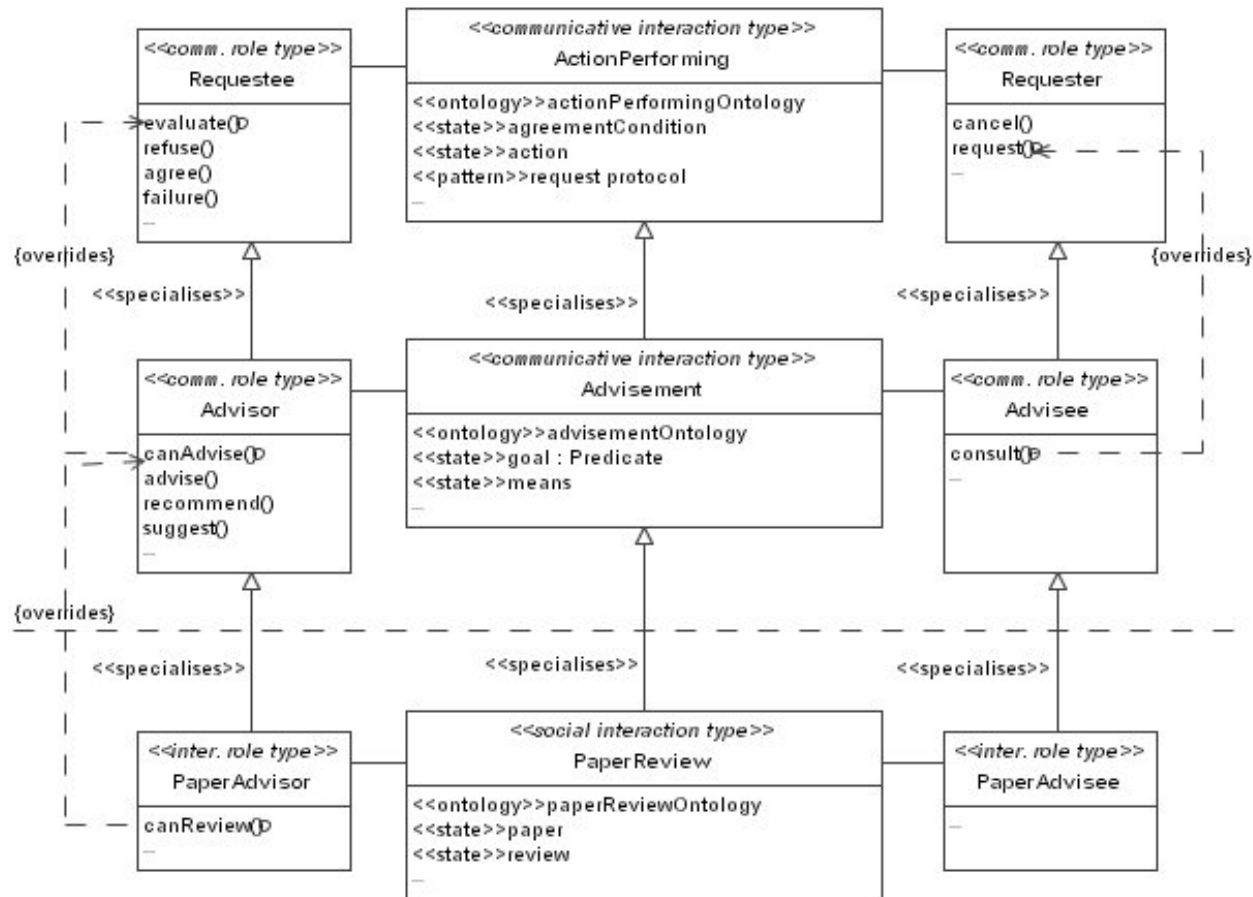
# A conference management model

## Communicative layer



# A conference management model

## Communicative layer



# Conclusion

- Advantages
  - Structuring of FIPA ACL & other performative proposals
    - Argumentation-based dialogue games, negotiation, etc.
  - Integration of ACLs and Organisational models
    - Communicative roles & interactions: bridge abstractions
  - Interaction design: principled reused approach
    - Communicative interactions as generic application-independent patterns
  - ACL design: an organisational approach
- Towards a unified metamodel:
  - Integration requirements:
    - *Subsume* relationship
    - Introduction of *Interactive role*, ....